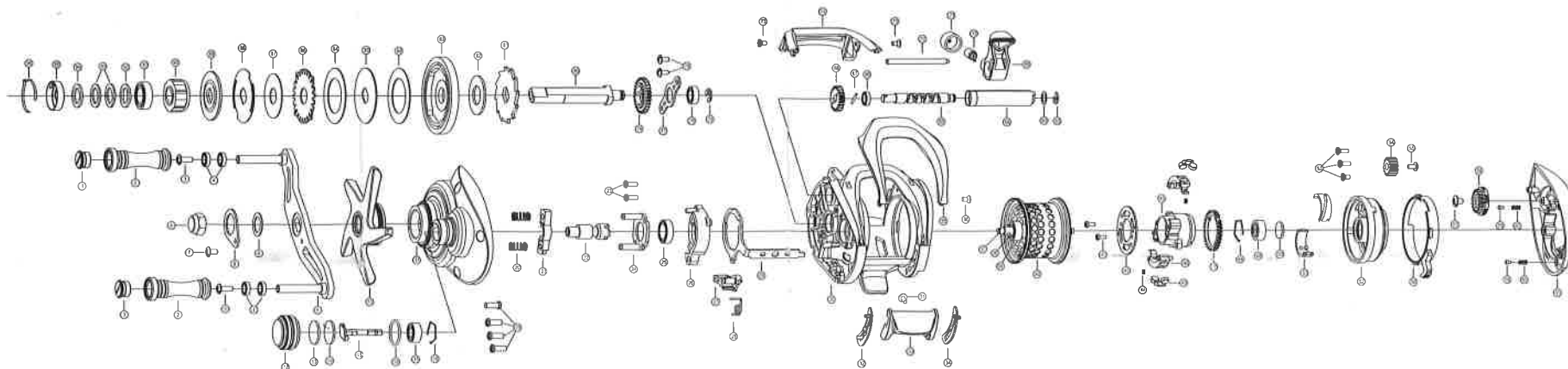




FINESSE 103 HSL



1 handle knob cap	16 o-ring	31 clutch lever screw	46 shallow mangic seat	61 left cover	76 ball bearing	91 ball bearing
2 handle knob	17 ball bearing	32 clutch lever right plate	47 brake adjusting gear	62 e-spring	77 stoper plate	92 washer
3 screw	18 stoper holder	33 clutch lever	48 stoper holder	63 washer	78 stoper plate screw	93 spring washer
4 ball bearing	19 right cover screw	34 clutch lever left plate	49 ball bearing	64 stabilizer bar	79 connect gear	94 washer
5 crank assy	20 clutch spring	35 frame cover	50 brake washer	65 carrigage screw	80 gear shaft	95 click holder
6 handle screw	21 clutch	36 frame cover screw	51 brake adjusting cam	66 ball bearing	81 ratchet	96 click spring
7 crank screw	22 pinion gear	37 short spool shaft	52 spool cover	67 carrigage screw pin	82 ratchet washer	
8 lock plate	23 clutch seat screw	38 spool shaft pin	53 spool cover screw	68 carrigage screw gear	83 driver gear	
9 crank washer	24 clutch seat	39 ball bearing	54 middle gear	69 line guide holder	84 brake washer A	
10 star handle	25 ball bearing	40 spool	55 middle gear screw	70 return pawl	85 drag washer A	
11 right cover assy	26 clutch cam	41 screw	56 key push lever	71 pawl cap	86 drag washer B	
12 control cap	27 kick lever	42 shallow mangic seat plate	57 control cap screw	72 holder guide	87 brake washer B	
13 cushion rubber	28 kick lever spring	43 shallow mangic seat insert	58 brake control cap	73 front cover screw	88 drag washer C	
14 brake washer	29 clutch plate	44 shallow mangic seat spring	59 sound pin	74 front cover	89 drag washer C	
15 short shaft	30 frame	45 magnet	60 sound spring	75 e-ring	90 one way ball bearing	